

Key Features

- **Latex free**
Reduces the chance of a severe allergic reaction
- **Negligible common fluid space**
Patented multilumen hub keeps infusions separate until distal tip of connector so helping to prevent drug / drug reactions
- **Roller damp distal to drip chamber**
Accurate control of fluid infusion rate at the tip of your thumb
- **Lipid resistant plastics**
Safe for use with lipid containing drugs
- **Fully rotating male Luer collar**
Self locates on locking and prevents line spaghetti

Drug Lines

- **Colour coded slide clamps**
Prevents accidental bolus delivery during syringe handling

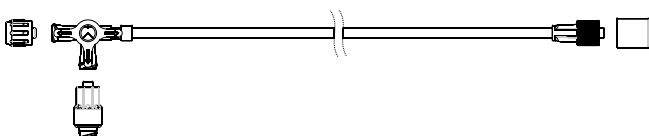
Needle free valves

- **Normally closed**
Valve opens after insertion of tip of syringe or male Luer from administration set
- **Luer thread to proximal port**
Permits screw locking of syringe or administration set to valve
- **Two-way valve function**
Allows aspiration of fluids as well as administration of drugs

Accessories

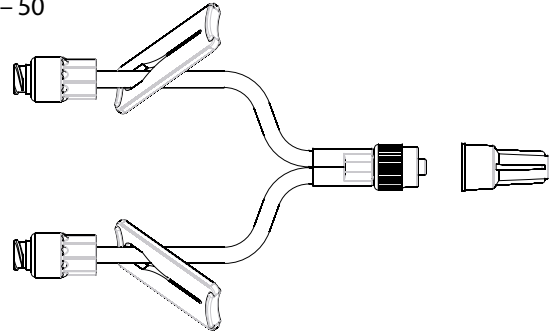
STNF100

Product code – STNF100
3-Way stop tap with needle free valve and extension
L – 100 cm, prime vol – 7.1 ml
Units/box 100



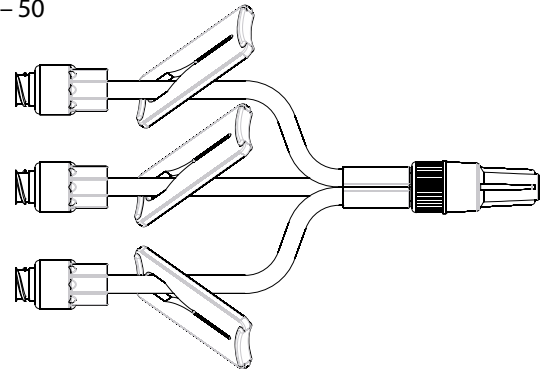
SafeSet2

Product code – 6200NF
2 drug administration lines with needle free valves
L – 7 cm, prime vol – 0,5 ml
Units/box – 50



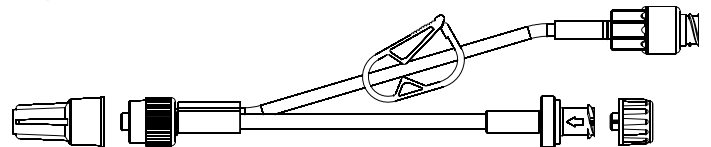
SafeSet3

Product code – 6300NF
3 drug administration lines with needle free valves
L – 7 cm, prime vol – 0,5 ml
Units/box – 50



A2NF-Set

Product code – 7200ANF
A2-Set with needle free valve
Gravity line with back check valve
L – 8 cm, prime vol – 0.5 ml
High flow drug line with needle free valve
L – 10 cm, prime vol – 0.6 ml
Units/box – 50



SafePort Needle free valve

Product code – 100LNF
Needle free valve with Luer locks
Units/box – 100

